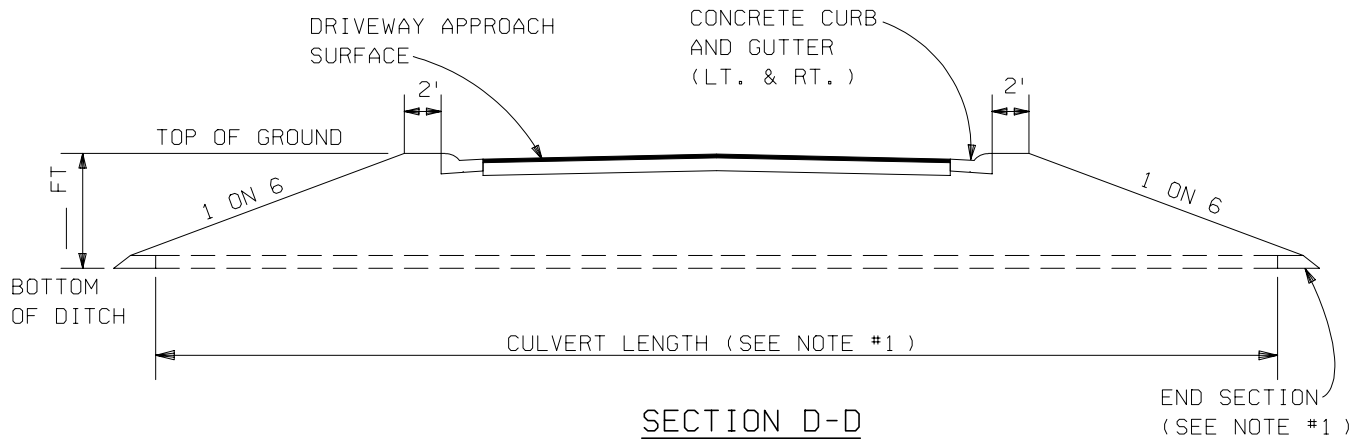
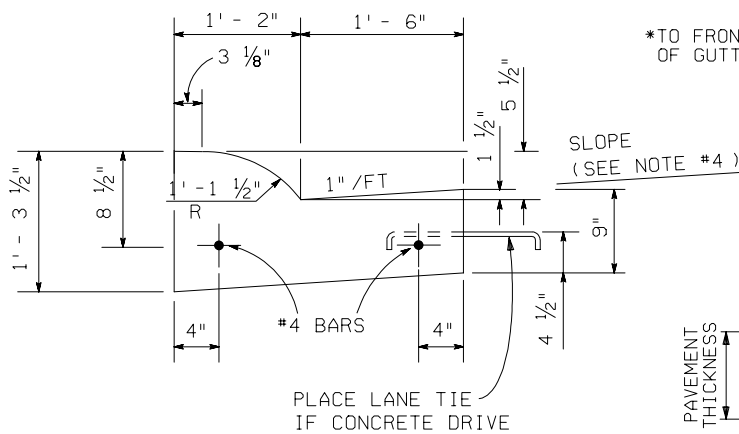


PLAN
DETAIL M



SECTION D-D

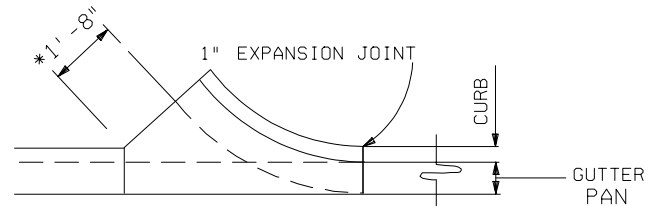
END SECTION
(SEE NOTE #1)



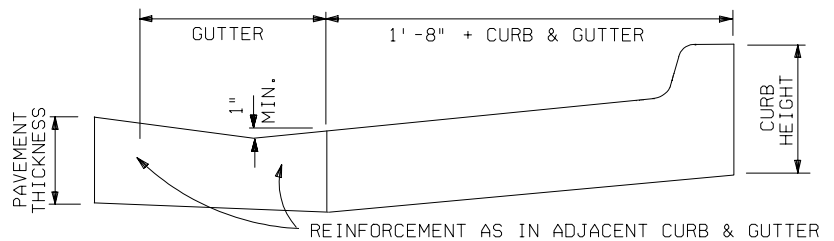
CONCRETE CURB AND GUTTER DETAIL B

CONCRETE REQUIRED 0.0900 CYD /LFT

*TO FRONT EDGE
OF GUTTER PAN



INSERT A



SECTION A-A

UNCURBED TRUNKLINE

UTILITIES - PERMITS SECTION
REAL ESTATE DIVISION



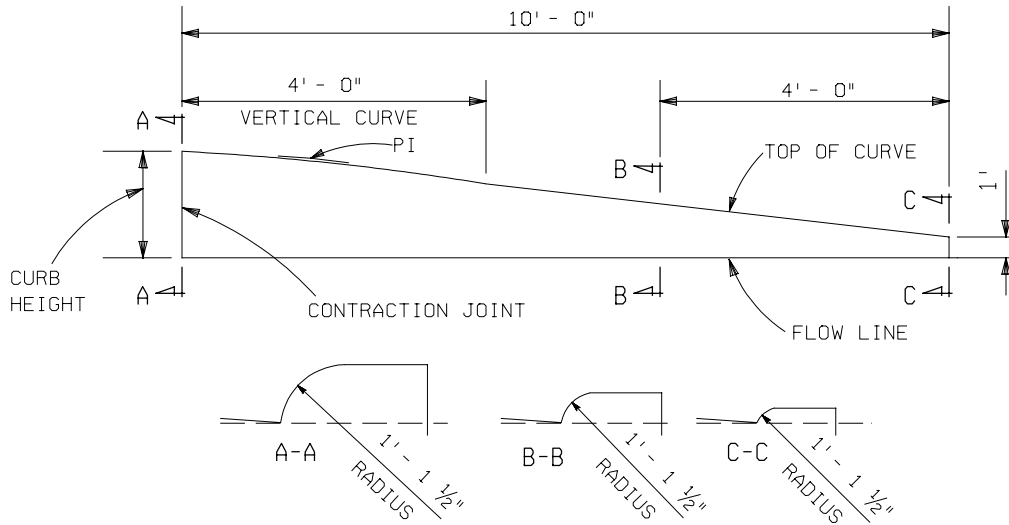
PERMIT NO. _____
TRUNKLINE _____
NAME OF PERMIT _____
APPLICANT _____

PERMIT ATTACHMENT FOR
UNCURBED TRUNKLINE
COMMERCIAL DRIVEWAY

04-16-02
PLAN DATE

PA-04

SHEET
01 OF 02



* TYPICAL TANGENT END OF CURB DETAIL

NOTES

1. PLACE ___ LFT OF ___ INCH CULVERT ___ FEET FROM CENTERLINE OF PAVEMENT WITH END SECTION AT EACH END.
GRATES SHOULD BE USED ON END SECTIONS FOR CULVERTS 18" AND LARGER WHICH ARE LESS THAN 30' FROM THE PAVEMENT. HEADWALLS SHALL NOT BE USED FOR DRIVEWAY CULVERTS.
2. THE SURFACE SHALL BE EQUAL TO OR BETTER THAN THE FOLLOWING:
 - a. ___ INCH BITUMINUS MIXTURE _____ TOP
 ___ INCH BITUMINUS MIXTURE _____ LEVELING
 ___ INCH BITUMINUS MIXTURE _____ BASE
 ___ INCH COMPACTED GRAVEL OR CRUSHED STONE
 ___ INCH SUBBASE COMPATIBLE WITH THAT USED ON THE HIGHWAY
 - b. ___ OF REINFORCED CONCRETE ON ___ INCH OF COMPACTED GRAVEL OR CRUSHED STONE AND ___ SUBBASE COMPATIBLE WITH THAT USED ON THE HIGHWAY.
 - c. CONCRETE GRADE P1 SHALL BE USED.
3. ALL WORK WITHIN THE RIGHT OF WAY SHALL BE DONE IN ACCORDANCE WITH CURRENT MICHIGAN DEPARTMENT OF TRANSPORTATION STANDARD SPECIFICATIONS FOR CONSTRUCTION AND ACCORDING TO THE ADMINISTRATIVE RULES OF ACT 200, P.A. OF 1969.
4. SLOPE DRIVEWAY APPROACH AWAY FROM PAVEMENT AT 1/2" /FT FOR 12 FEET.
5. DISTURBED AREAS SHALL BE RESTORED WITH TOPSOIL AND SEED OR SOD ONLY. MINIMUM OF 3 INCHES OF TOPSOIL REQUIRED.
6. A DRIVEWAY SHALL BE CONSTRUCTED SO THAT IT DOES NOT ADVERSELY AFFECT THE HIGHWAY DRAINAGE. THE DRAINAGE AND THE STABILITY OF THE HIGHWAY SUBGRADE SHALL NOT BE ALTERED BY DRIVEWAY CONSTRUCTION OR ROADSIDE DEVELOPMENT.
7. CURB IS TO EXTEND TO ROW LINE OR A MINIMUM OF 10' BEYOND THE RADIUS OR AS DIRECTED BY THE ENGINEER.

UTILITIES - PERMITS SECTION
REAL ESTATE DIVISION



PERMIT NO. _____
 TRUNKLINE _____
 NAME OF PERMIT _____
 APPLICANT _____

PERMIT ATTACHMENT FOR
COMMERCIAL DRIVEWAY
UNCURBED TRUNKLINE

08-05-98
PLAN DATE

PA-04

SHEET
02 OF 02